

NOTES:

- If underside of floor is below water table level, sub-floor drainage is to be provided.
- If ground is poor, top reinforcement shall be provided.

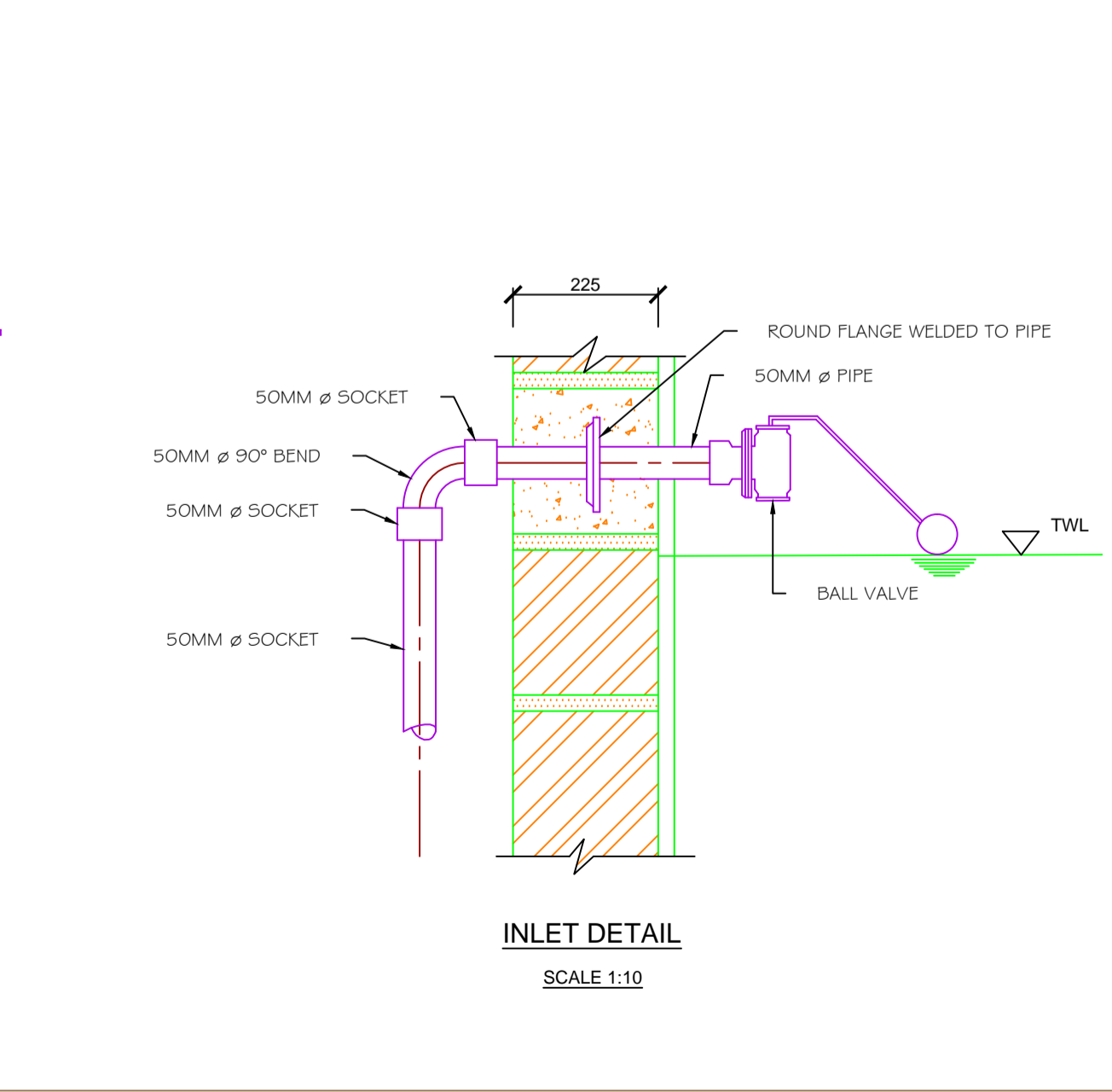
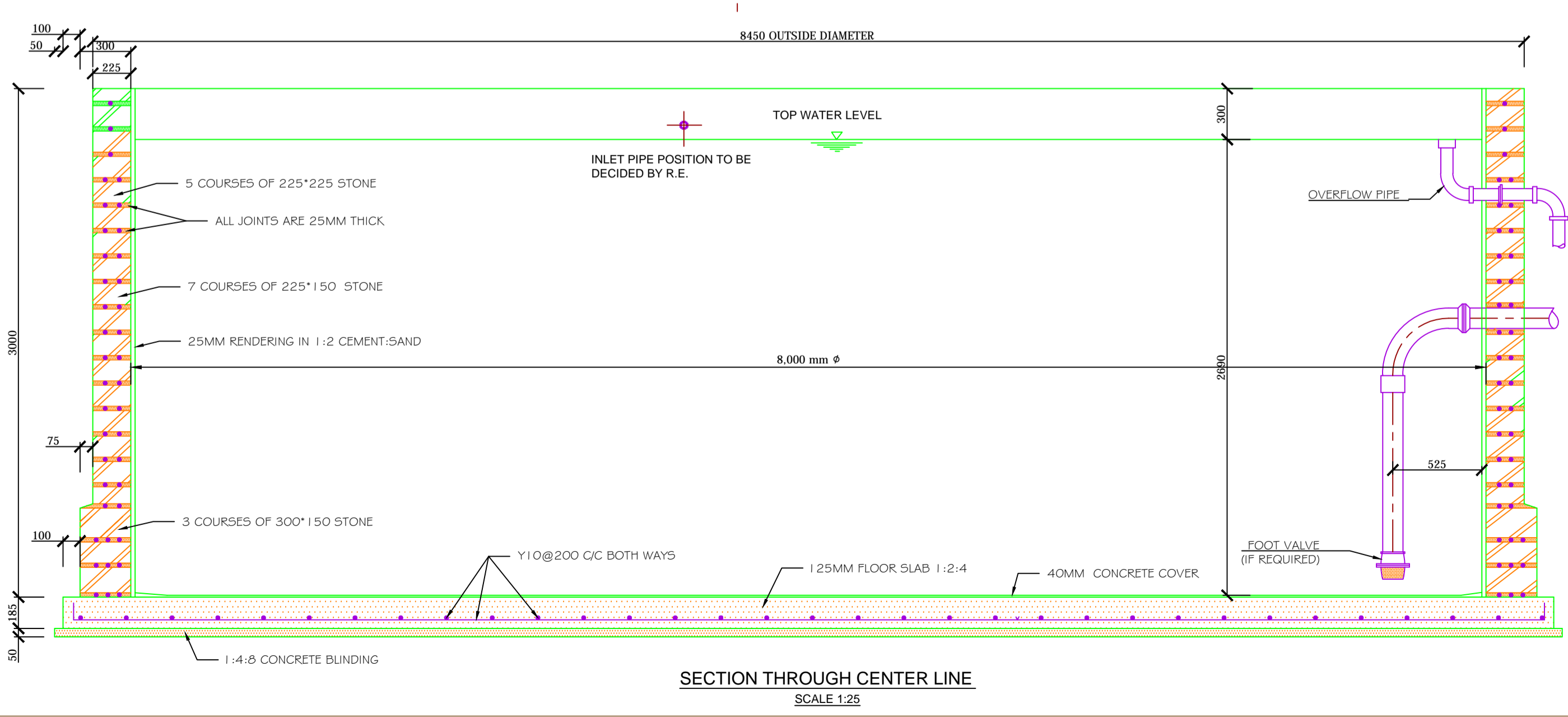
LIST OF MATERIALS (EXCLUDING ROOF BLOCKS)

BALAST	10,36m ³
SAND	10,36m ³
CEMENT	4.4 TONS
STEEL	120.90kgms
WOODWORK	120.90kgms
225x225mm	180m

BAR BENDING SCHEDULE

POSITION	TYPE OF BAR	BENDING DETAILS	NUMBER OF BARS	TYPE & DIAMETER (R mm)	PER BAR OVERALL LENGTH (m)	PER BAR CUMULATIVE LENGTH (m)	REMARKS
BOTTOM OF SLAB	PLAIN	NIL	82	Y10	1.036m	84.988m	To be made up out of lengths supplied. Lap length 500mm.
WALL	CIRCUMFERENTIAL	BEND INSITU	3	Y10	28.14m	84.42m	To be made up out of lengths supplied. Lap length 500mm.
WALL	CIRCUMFERENTIAL	BEND INSITU	15	Y10	27.54m	413.10m	To be made up out of lengths supplied. Lap length 500mm.
WALL	CIRCUMFERENTIAL	BEND INSITU	12	Y10	27.14m	325.68m	To be made up out of lengths supplied. Lap length 500mm.

Total Length of Y10 required = 1430m (DRG. Sigs)
In Case of Bark Control Sigs = 1036m (See 1254-DRG)



MINISTRY OF WATER & IRRIGATION- MAJI HOUSE

150M³ MASONRY STORAGE TANK

DESIGNED	M.R VERMEY	JUNE 1975	SHEET: 1 of 1	
TRACED	P.U. Mulu	JUNE 1975	SCALE: AS SHOWN	
DIGITIZED	J.G. Muturi	NOV. 2009		
CHECKED	ENG. B.I. Kasabuli	NOV. 2009	DRG. No.	M.W.I 013-TYPE-070
APPROVED	D.W.S	NOV. 2009		